

44-2800 Series

Regulators - Pressure Reducing

D44281796X012

Specifications

For other materials or modifications, please consult TESCOM.

OPERATING PARAMETERS

Pressure rating per criteria of ANSI/ASME B31.3

Maximum Inlet Pressure

3000 psig / 207 bar

Outlet Pressure Ranges

0-25, 0-50, 0-100, 0-150 psig
0-1.7, 0-3.4, 0-6.9, 0-10.3 bar

Design Proof Pressure

150% maximum rated

Leakage

Internal: Bubble-tight

External: Design to meet $\leq 2 \times 10^{-8}$ atm cc/sec He

Operating Temperature

-40°F to 140°F / -40°C to 60°C

Flow Capacity

$C_v = 0.16$

MEDIA CONTACT MATERIALS

Body

316 Stainless Steel

Diaphragm

316 Stainless Steel

Friction Sleeve (outer)

316 Stainless Steel

Friction Sleeve (inner)

Teflon®

Spring

Elgiloy®

Seat

CTFE

Remaining Parts

316 Stainless Steel

OTHER

Cleaning

CGA 4.1 and ASTM G93

Connections

1/4" NPTF inlet and outlet
inlet and outlet ports at 60°

Weight (without gauges)

3 lbs / 1.4 kg

Elgiloy® is a registered trademark of Elgiloy Corp.

Hastelloy® is a registered trademark of Haynes International, Inc.

Teflon® is a registered trademark of E.I. du Pont de Nemours and Company



TESCOM 44-2800 Series **tied diaphragm** design provides additional shut-off assistance for toxic or corrosive gases. Positional captured bonnet provides secondary containment for added safety. Available in Hastelloy® or Monel materials.

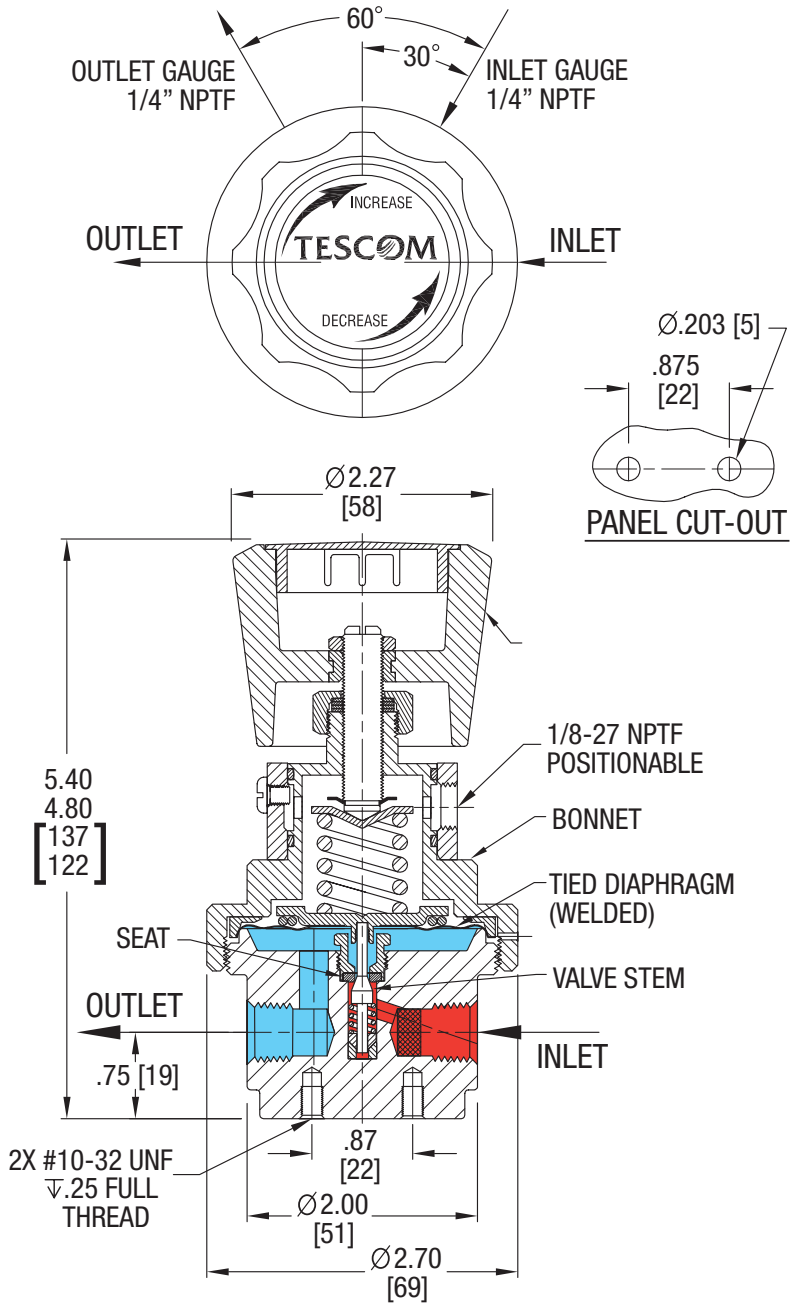
Application

- Instrumentation/analyzer equipment

Features and Benefits

- Repeatability: $\pm 0.50\%$ of maximum rated outlet pressure
- Convoluted diaphragm provides maximum sensitivity and minimum droop
- Metal-to-metal diaphragm to body seal
- Positionable captured vent bonnet and adjustable stop to limit outlet pressures
- Hastelloy® C or Monel trim options are available (-135 modification)

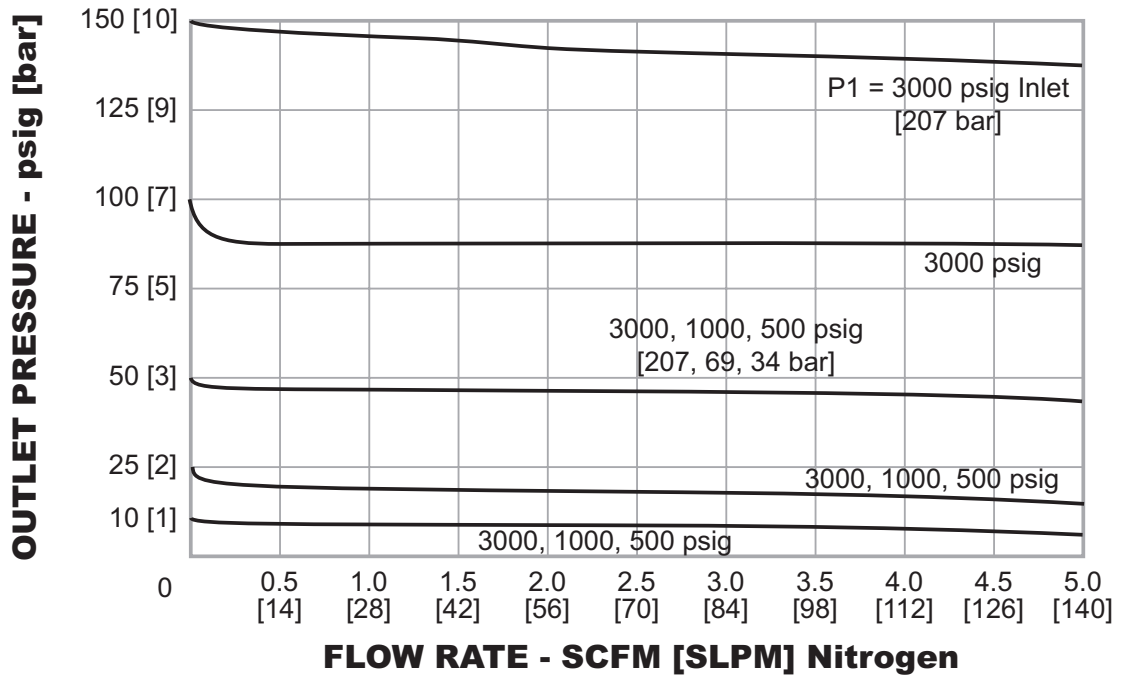
44-2800 Series Regulator Drawing



All dimensions are reference & nominal
Metric [millimeter] equivalents are in brackets

44-2800 Series Regulator Flow Chart

For more information on how to read flow curves, please refer to the Flow Curves and Calculations document (debul2007x012) in the TESCOM catalog or on www.tescom.com.



44-2800 Series Regulator Part Number Selector

Repair Kits, Accessories & Modifications may be available for this product. Please contact TESCOM for more information.

Example for selecting a part number:

44-28	6	1	-	2	4	1
BASIC SERIES	BODY MATERIAL	OUTLET PRESSURE RANGES		INLET AND OUTLET PORT TYPE	INLET AND OUTLET PORT SIZE	MAXIMUM INLET PRESSURE
44-28	6 - 316 Stainless Steel	0 – 0-25 psig 1.7 bar 1 – 0-50 psig 3.4 bar 2 – 0-100 psig 6.9 bar 3 – 0-150 psig 10.3 bar		2 – NPTF	4 – 1/4"	0 – 3000 psig 207 bar



WARNING! Do not attempt to select, install, use or maintain this product until you have read and fully understood the *TESCOM Safety, Installation and Operation Precautions*.

D44281796X012 © 2012 Emerson Process Management Regulator Technologies, Inc. All rights reserved. 05/2012.
 Tescom, Emerson Process Management, and the Emerson Process Management design are marks of one of the Emerson Process Management group of companies. All other marks are the property of their respective owners.