

44-1700 Series

Regulators - Relief / Backpressure

D44171768X012

Specifications

For other materials or modifications, please consult TESCOM.

OPERATING PARAMETERS

Pressure rating per criteria of ANSI/ASME B31.3

Maximum Inlet Pressure

800 psig / 55.2 bar

Controlled Pressure Ranges

40-150, 40-300, 100-700, 100-800 psig
2.8-10.3, 2.8-20.7, 6.9-48.3, 6.9-55.2 bar

Design Proof Pressure

150% maximum rated

Leakage

Bubble-tight

Operating Temperature

-15°F to 140°F / -26°C to 60°C

Flow Capacity

$C_v = 0.10$

MEDIA CONTACT MATERIALS

Body

316 Stainless Steel or Brass

Seat

CTFE

O-Ring

Viton®

Back-up Ring

Teflon®

Remaining Parts

Stainless Model: 316 Stainless Steel

Brass Model: Brass and 300 Series Stainless Steel

OTHER

Cleaning

CGA 4.1 and ASTM G93

Weight

2 lbs / 0.9 kg

Teflon® and Viton® are registered trademarks of E.I. du Pont de Nemours and Company.



TESCOM 44-1700 Series is a general purpose, compact backpressure regulator for control pressures up to 800 psig / 55.2 bar.

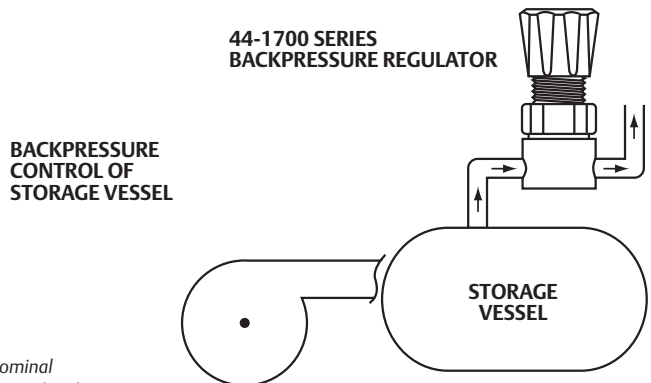
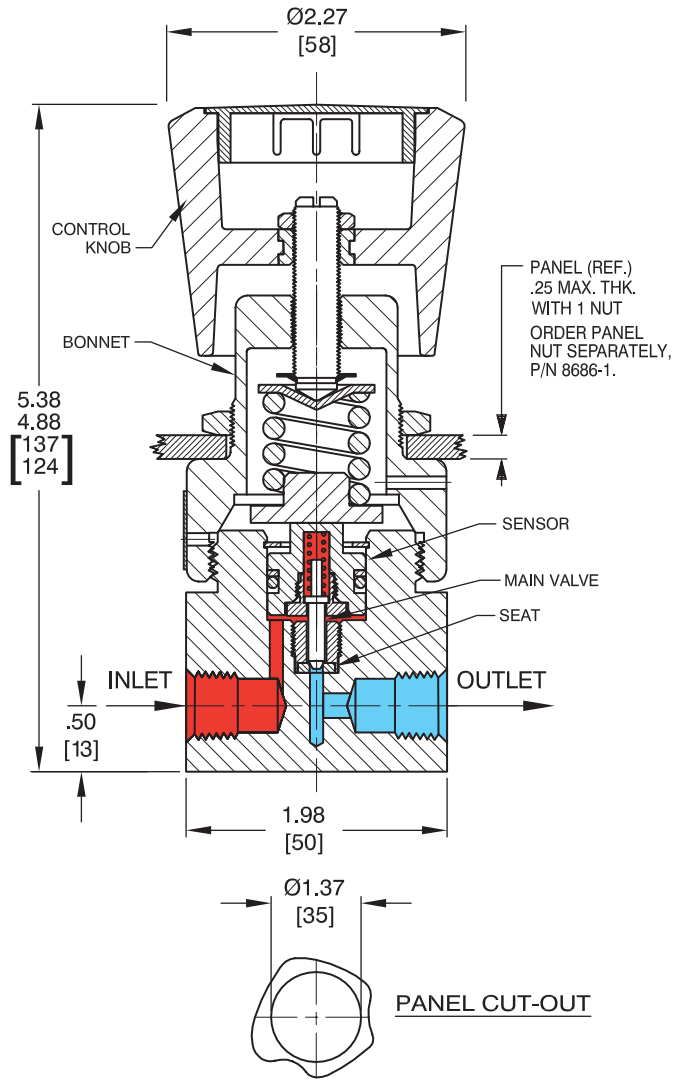
Application

- Industrial equipment for hydraulic or pneumatic service

Features and Benefits

- Economical, compact design
- Piston sensed design is safe and reliable
- Available in a Stainless Steel or Brass design
- Optional gauge ports and panel mounting
- Flow capacity $C_v = 0.10$
- Low handknob torque for easy operation
- Bubble-tight shutoff at all reseating pressures

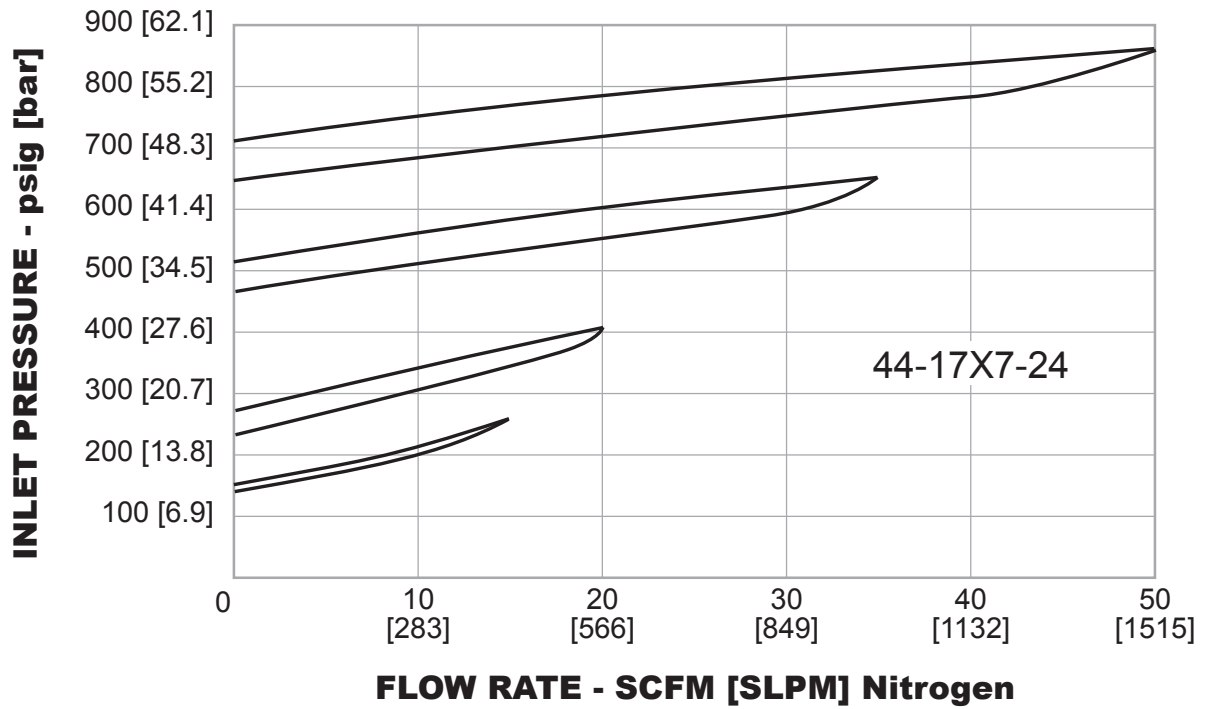
44-1700 Series Regulator Drawing



All dimensions are reference & nominal
Metric [millimeter] equivalents are in brackets

44-1700 Series Regulator Flow Chart

For more information on how to read flow curves, please refer to the Flow Curves and Calculations document (debul2007x012) in the TESCOM catalog or on www.tescom.com.



44-1700 Series Regulator Part Number Selector

Repair Kits, Accessories & Modifications may be available for this product. Please contact TESCOM for more information.

Example for selecting a part number:

44-17	6	7	-	2	4
BASIC SERIES	BODY MATERIAL	INLET PRESSURE	INLET AND OUTLET PORT TYPE	INLET AND OUTLET PORT SIZE	
44-17	1 – Brass 6 – 316 Stainless Steel	2 – 40-150 psig 2.8-10.3 bar 3 – 40-300 psig 2.8-20.7 bar 7 – 100-700 psig 6.9-48.3 bar 8 – 100-800 psig 6.9-55.2 bar	2 – NPTF	4 – 1/4"	



WARNING! Do not attempt to select, install, use or maintain this product until you have read and fully understood the *TESCOM Safety, Installation and Operation Precautions*.

D44171768X012 © 2012 Emerson Process Management Regulator Technologies, Inc. All rights reserved. 05/2012.
 Tescom, Emerson Process Management, and the Emerson Process Management design are marks of one of the Emerson Process Management group of companies. All other marks are the property of their respective owners.