

# 26-2300 Series

## Regulators - Relief / Backpressure

D26230694X012

### Specifications

For other materials or modifications, please consult TESCO.

#### OPERATING PARAMETERS

Pressure rating per criteria of ANSI/ASME B31.3

**Maximum Inlet Pressure**

0-50, 0-150, 0-250 psig / 0-3.4, 0-10.3, 0-17.2 bar

**Design Proof Pressure**

150% maximum rated

**Leakage**

Bubble-tight

**Operating Temperature<sup>1</sup>**

-40°F to 165°F / -40°C to 74°C

**Flow Capacity**

$C_v = 0.60$

**Maximum Operating Torque**

25 in-lbs / 2.8 N•m

1. For extended temperatures from -40°F to 400°F / -40°C to 204°C, please consult TESCO.

#### MEDIA CONTACT MATERIALS

**Body**

303 Stainless Steel, 316 Stainless Steel, or Aluminum 2024-T351

**Diaphragm**

Buna-N

**Main Valve Seat**

Teflon<sup>®</sup>

**O-Rings**

Buna-N

**Seals**

Teflon<sup>®</sup>

**Remaining Parts**

300 Series Stainless Steel

#### OTHER

**Cleaning**

CGA 4.1 and ASTM G93

**Weight**

**Stainless Model:** 2.25 lbs / 1.0 kg

**Aluminum Model:** 1.25 lbs / 0.6 kg

Teflon<sup>®</sup> is a registered trademark of E.I. du Pont de Nemours and Company.



TESCOM 26-2300 Series is a highly accurate, diaphragm sensed backpressure regulator. It controls pressures up to 500 psig / 34.5 bar and offers many  $C_v$ s from 0.02 up to 1.0. Air and dome loaded versions are available for remote operation or for use with the TESCO ER3000 Electropneumatic Controller for automation.

### Applications

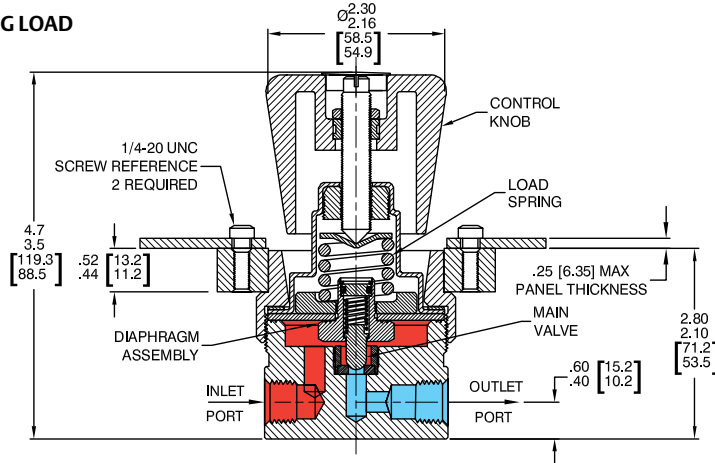
- Hydraulic or pneumatic testing
- Calibration
- Pump discharge pressure control

### Features and Benefits

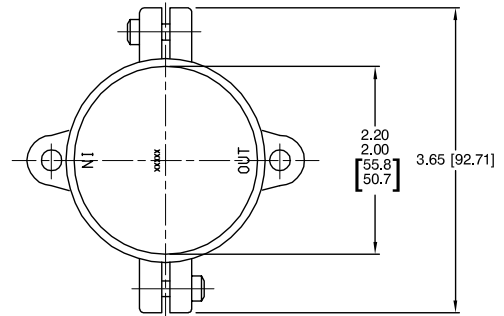
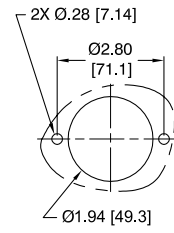
- Crack to reseal - 2% of set pressure
- Easily adjusted, low torque handknob control
- Bubble-tight shutoff at all reseal pressures
- Four flow capacities available:  
 $C_v = 0.60$  standard  
 $C_v = 0.06, 0.12, 1.0$  optional
- Spring, dome, and air loaded models are available
- Panel mounting is standard
- Compatible with TESCO ER3000 Electropneumatic Controller

## 26-2300 Series Regulator Drawings

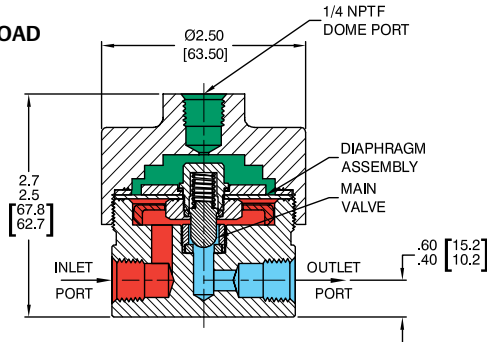
### SPRING LOAD



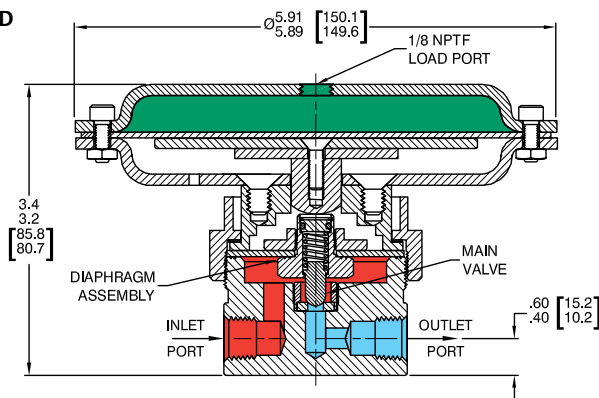
### PANEL CUT-OUT



### DOME LOAD



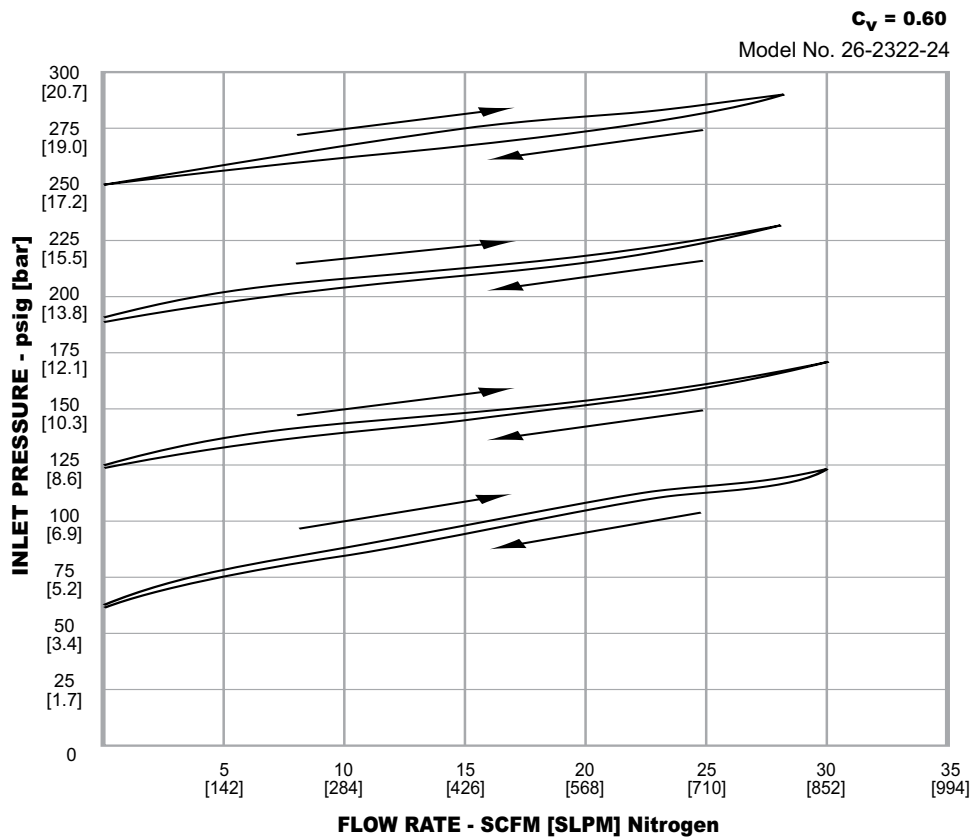
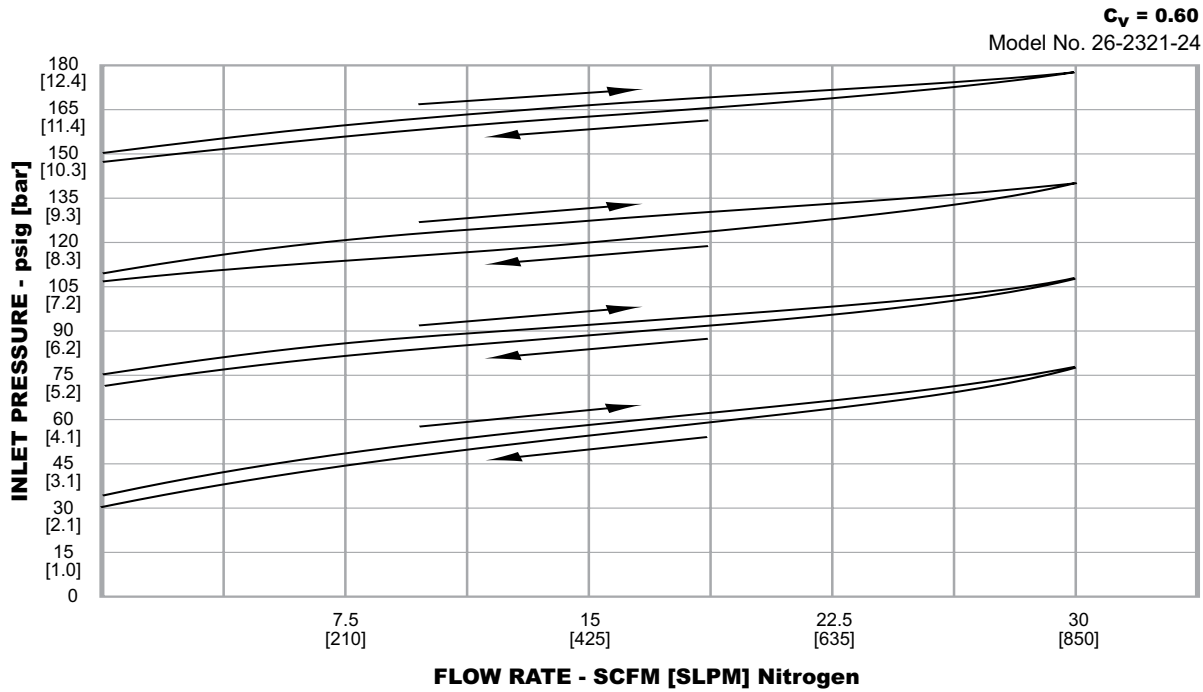
### AIR LOAD



All dimensions are reference & nominal  
Metric [millimeter] equivalents are in brackets

## 26-2300 Series Regulator Flow Charts

For more information on how to read flow curves, please refer to the Flow Curves and Calculations document (debul2007x012) in the TESCOM catalog or on [www.tescom.com](http://www.tescom.com).



## 26-2300 Series Regulator Part Number Selector

*Repair Kits, Accessories & Modifications may be available for this product. Please contact TESCOM for more information.*

Example for selecting a part number:

26-23	2	1	-	2	4
BASIC SERIES	BODY MATERIAL	CONTROL PRESSURE RANGE		INLET AND OUTLET PORT TYPE	INLET AND OUTLET PORT SIZE
26-23	2 – 303 Stainless Steel	0 – 0-50 psig 0-3.4 bar		1 – SAE	4 – 1/4"
	3 – 2024-T351 Aluminum	1 – 0-150 psig 0-10.3 bar		2 – NPTF	6 – 3/8"
	6 – 316 Stainless Steel	2 – 0-250 psig 0-17.2 bar		3 – MS33649	8 – 1/2"



**WARNING!** Do not attempt to select, install, use or maintain this product until you have read and fully understood the *TESCOM Safety, Installation and Operation Precautions*.

D26230694X012 © 2012 Emerson Process Management Regulator Technologies, Inc. All rights reserved. 05/2012.  
 Tescom, Emerson Process Management, and the Emerson Process Management design are marks of one of the Emerson Process Management group of companies. All other marks are the property of their respective owners.