

# FR-2000 Series

## Regulators - Pressure Reducing

DFR201759X012

### Specifications

For other materials or modifications, please consult TESCOM.

#### OPERATING PARAMETERS

Pressure rating per criteria of ANSI/ASME B31.3

**Maximum Inlet Pressure**

500 psig / 34.5 bar

**Outlet Pressure Ranges**

0-15, 0-30, 0-75, 0-150 psig / 0-1.0, 0-2.1, 0-5.2, 0-10.3 bar

**Design Proof Pressure**

150% maximum rated

**Leakage**

**Internal:** Bubble-tight

**External:**  $< 2 \times 10^{-8}$  atm cc/sec He

**Operating Temperature**

-40°F to 165°F / -40°C to 74°C

**Flow Capacity**

$C_v = 1.8$



#### MEDIA CONTACT MATERIALS

**Body**

316 Stainless Steel

**Seat**

FEP Teflon®

**Retainer Seat**

Nitronic 60

**O-Ring**

Teflon®

**Diaphragm**

316 Stainless Steel

**Spring**

316 Stainless Steel

**Remaining Parts**

316 Stainless Steel

#### OTHER

**Cleaning**

CGA 4.1 and ASTM G93

**Weight (without gauges)**

6.0 lbs / 2.7 kg

Teflon® is a registered trademark of E.I. du Pont de Nemours and Company.

TESCOM FR-2000 Series regulator is extremely accurate and designed for high flow at low outlet pressure. Diffusion-resistant metal diaphragm seal ensures gas purity and leak integrity.

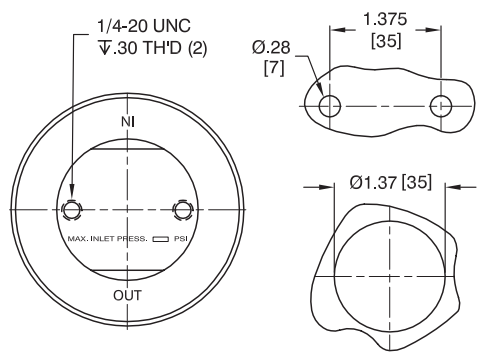
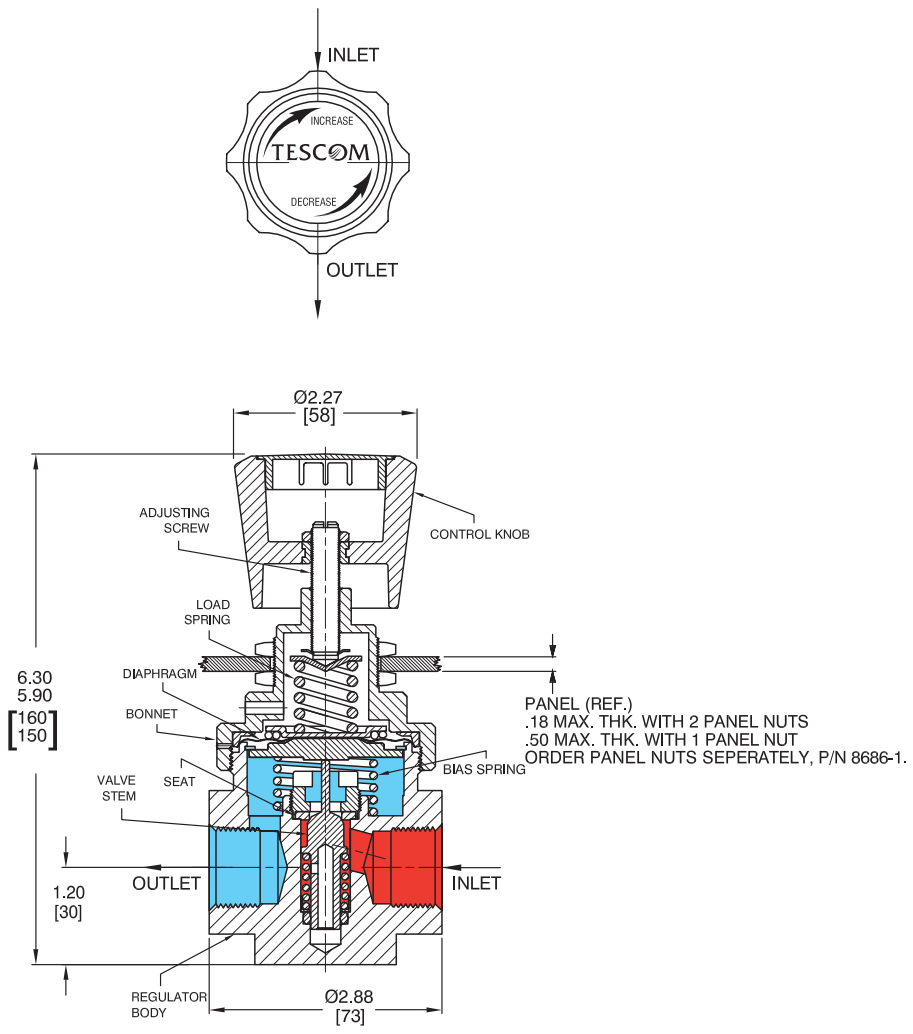
#### Application

- Low pressure purge

#### Features and Benefits

- Accurate and designed to provide high flow at low control pressure
- High-flow,  $C_v = 1.8$
- Metal-to-metal sealed diaphragm
- Dome loaded version is available
- Gauge ports are available

FR-2000 Series Regulator Drawing

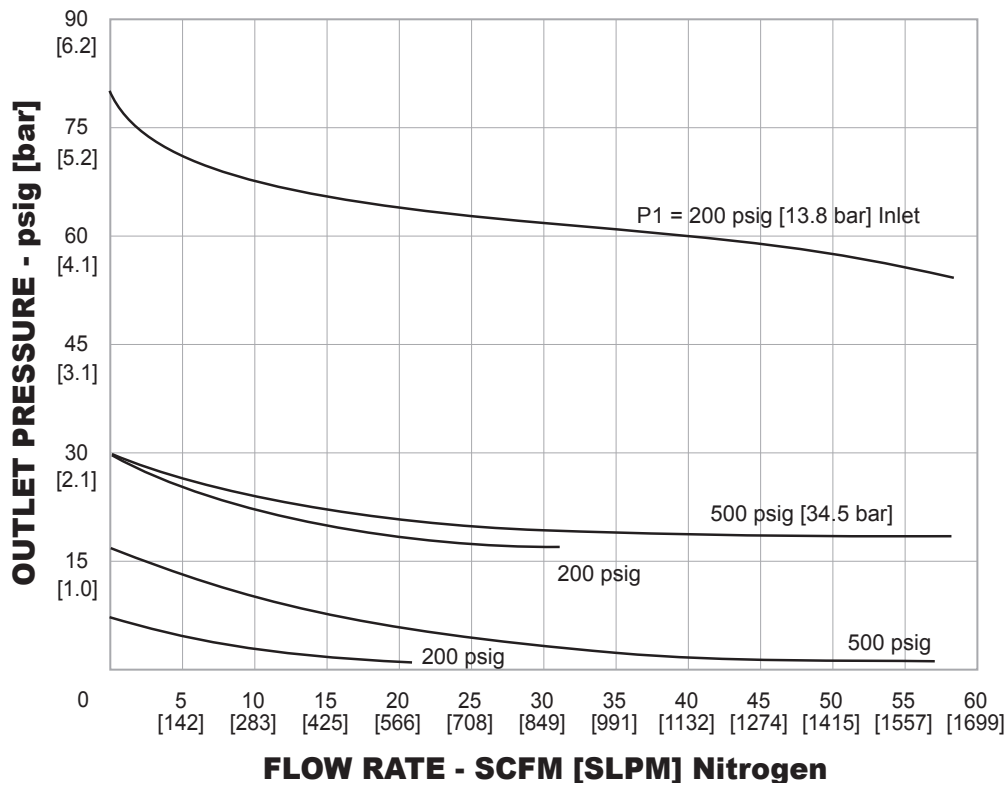


PANEL CUT-OUTS

All dimensions are reference & nominal  
 Metric [millimeter] equivalents are in brackets

## FR-2000 Series Regulator Flow Chart

For more information on how to read flow curves, please refer to the Flow Curves and Calculations document (debul2007x012) in the TESCOM catalog or on [www.tescom.com](http://www.tescom.com).



## FR-2000 Series Regulator Part Number Selector

*Repair Kits, Accessories & Modifications may be available for this product. Please contact TESCOM for more information.*

Example for selecting a part number:

BASIC SERIES	BODY MATERIAL	OUTLET PRESSURE RANGES	INLET AND OUTLET PORT TYPE	INLET AND OUTLET PORT SIZE	MAXIMUM INLET PRESSURE	OPTIONS
FR-20	6 – 316 Stainless Steel	0 – 0-15 psig / 0-1.0 bar 1 – 0-30 psig / 0-2.1 bar 2 – 0-75 psig / 0-5.2 bar 3 – 0-150 psig / 0-10.3 bar	2 – NPTF	08 – 1/2" 12 – 3/4"	2 – 500 psig / 34.5 bar	-017 – Piston style dome load -019 – 1/4" gauge port at 90°



**WARNING!** Do not attempt to select, install, use or maintain this product until you have read and fully understood the *TESCOM Safety, Installation and Operation Precautions*.

DFR201759X012 © 2012 Emerson Process Management Regulator Technologies, Inc. All rights reserved. 05/2012.  
 Tescom, Emerson Process Management, and the Emerson Process Management design are marks of one of the Emerson Process Management group of companies. All other marks are the property of their respective owners.